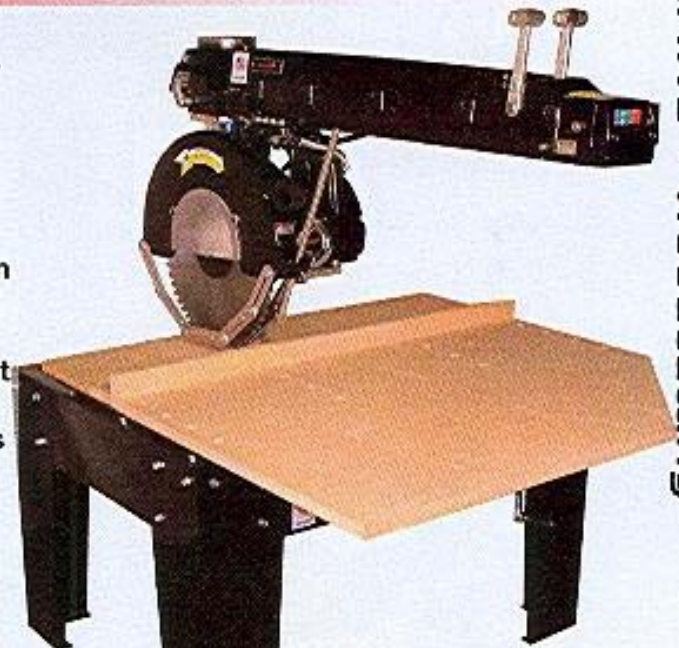




Manufactured in USA
American Castings
American Motors

Super Duty Series

The Super Duty Series is the ultimate workhorse of the industry, capable of operating 2 to 3 shifts per day, and able to do a wide variety of cutoff and dado operations. These massive 850 pound machines are constructed of cast and ductile iron for vibration free operation. The new models in the series, the 3554 & 3559 now have the thickest cutoff capability in their class with the larger new 22" blade capacity. This unit is capable of cutting off 8" thick material in a single pass. The entire Super Duty Series is better than ever with its improved finish, more durable powder coated castings and heavy steel frame.



RADIAL ARM SAWS - woodcutting

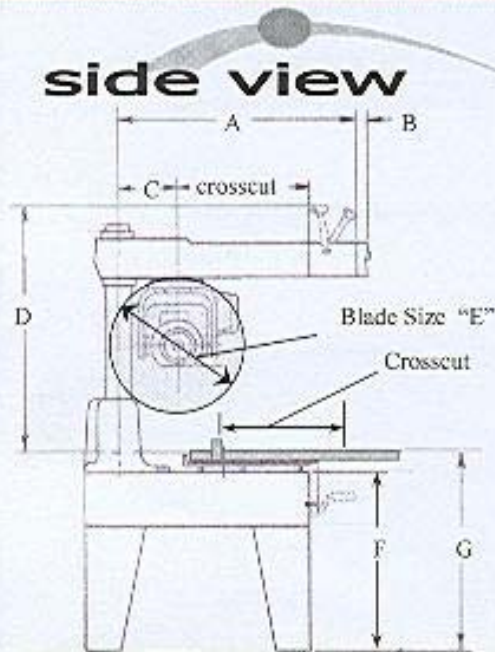
Specifications

MODEL:	3551	3556	3571	3576	3553	3558	3554	3559
Arm	Medium	Long	Medium	Long	Medium	Long	Medium	Long
Blade Size	16" / 400mm	16" / 400mm	16" / 400mm	16" / 400mm	20" / 500mm	20" / 500mm	22" / 550mm	22" / 550mm
MOTOR: ALL MOTORS TOTALLY ENCLOSED FAN COOLED								
HP	5	5	7.5	7.5	7.5	7.5	7.5	7.5
Phase	1	1	3	3	3	3	3	3
Hertz	60	60	50/60	50/60	50/60	50/60	50/60	50/60
Volts *	230	230	230/460 *	230/460 *	230/460 *	230/460 *	230/460 *	230/460 *
Amp (FLA)								
Watts								
Brake	automatic	automatic	automatic	automatic	automatic	automatic	auto - electronic	auto - electronic
Arbor	1" x 3 1/8"	1" x 3 1/8"	1" x 3 1/8"	1" x 3 1/8"	1" x 3 1/8"	1" x 3 1/8"	1" x 3 1/8"	1" x 3 1/8"
CAPACITIES: inches/metric								
Maximum Out-Rp	40 3/4" / 1035mm	48 3/4" / 1238mm	40 3/4" / 1035mm	48 3/4" / 1238mm	40 3/4" / 1035mm	48 3/4" / 1238mm	40 3/4" / 1035mm	48 3/4" / 1238mm
Max Cross Cut 1" Stock	24" / 609mm	32" / 812mm	24" / 609mm	32" / 812mm	24" / 609mm	32" / 812mm	23" / 584mm	31" / 787mm
Max Miter 45° 1" Stock	16" / 406mm	21 5/8" / 549mm	16" / 406mm	21 5/8" / 549mm	16" / 406mm	21 5/8" / 549mm	16" / 406mm	21 5/8" / 549mm
Max Depth of Cut	4 3/8" / 111 mm	4 3/8" / 111 mm	4 3/8" / 111 mm	4 3/8" / 111 mm	6 1/4" / 158mm	6 1/4" / 158mm	8" / 203mm	8" / 203mm
Max Depth of Cut 45° Bev	2" / 50mm	2" / 50mm	2" / 50mm	2" / 50mm	3 1/4" / 82mm	3 1/4" / 82mm	N/A	N/A

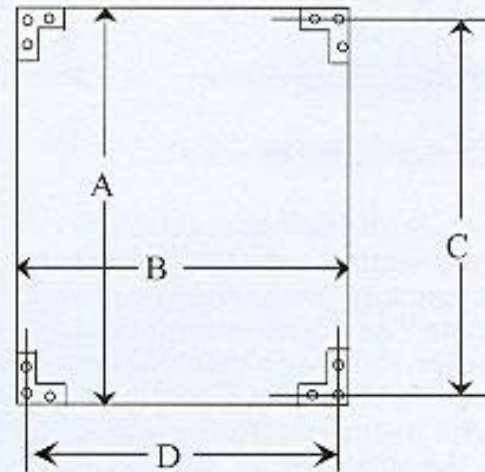
Available in the following 3 phase voltages 220/230/380/460/575/600 (50/60)cycle

Dimensions

Super Duty Series
Type VII



footprint



Index	Medium Arm Nos	Long Arm Nos.
	3551, 3571,	3556, 3576,
	3553	3558
A	44"	52"
B	1 3/8	1 3/8
C	9 1/2	9 1/2
D	23 1/4	23 1/4
E	16"	20
F	30 1/8"	30 1/8"
G	32 7/16"	32 7/16
	crosscut	crosscut
	3551, 3571	3556, 3576
Min 1" thick	25"	32"
Max 4" thick	21"	28"
	3553	3558
Min 1" thick	25"	32"
Max 6" thick	19"	26"

Index	Dimensions
	Super Duty Series
A	48"
B	36"
C	46 1/2
D	34 1/2



THE ORIGINAL  **SAW COMPANY**