



Manufactured In USA
American Castings
American Motors



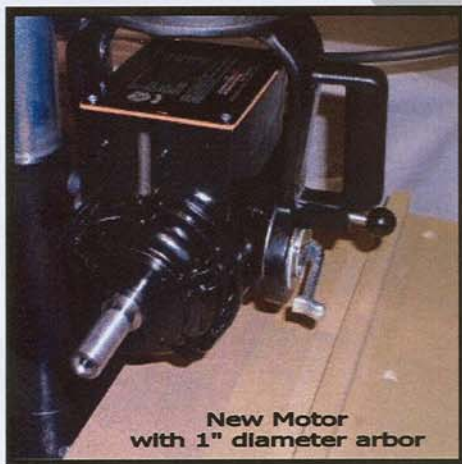
Contractor Duty Series

RADIAL ARM SAWS - woodcutting

The "Contractor Series" has been upgraded to the Professional Duty Series and now has an improved ability to handle production use with its new Original Saw manufactured totally enclosed fan cooled motor with built in automatic brake. Other improvements include 1" diameter arbor shaft and a more durable finish with its powder coated castings and frame. Our 3512 series is quickly becoming known as the "ultimate cabinet shop saw" because of its world class quality, precision cutting capabilities, flexibility, and repeatability cut after cut day after day for years to come.

Commercial Duty Upgrades Include:

- New Original Saw Manufactured TEFC Motor
- New larger 1" diameter arbor
- New rear table and fence clamping system
- Powder coated castings and frame
- As always Proudly Manufactured in the USA



New Motor with 1" diameter arbor

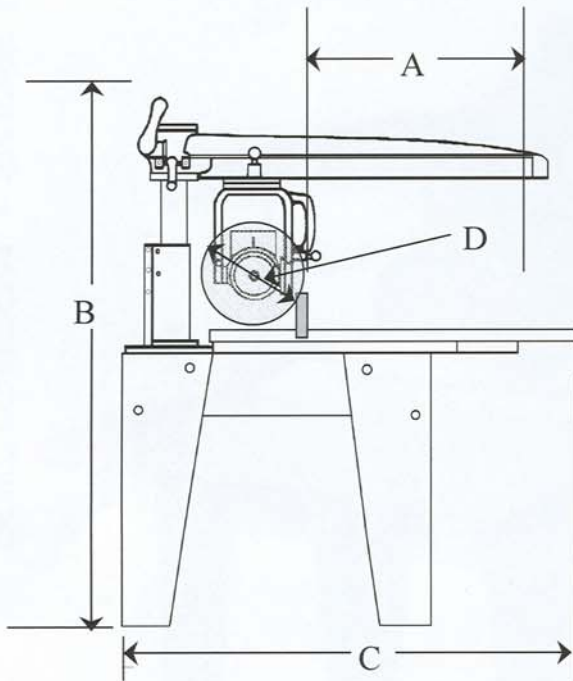
Type V Specifications

MODEL:	3512-01	3512-03
Arm	Medium	Medium
Blade Size	12" / 305 mm	12" / 305 mm
MOTOR: ALL MOTORS TOTALLY ENCLOSED FAN COOLED		
HP - continuous rating	2	3
HP - maximum rating	4	6.5
Phase	1	3
Hertz	60	50/60
Volts *	230	208/230/460
Brake	automatic	automatic
Arbor	1" x 2 3/16"	1" x 2 3/16"
CAPACITIES: inches / metric		
Maximum Out-Rip (fence in rear)	34 15/16" / 887 mm	34 15/16" / 887 mm
Max Cross Cut 1" Stock	24 1/4" / 615 mm	24 1/4" / 615 mm
Max Cross Cut 3" Stock	21 1/4" / 539 mm	21 1/4" / 539 mm
Max Miter 45° 1" Stock	16" / 406mm	16" / 406mm
Max Depth of Cut	3 1/16" / 77mm	3 1/16" / 77mm
Max Depth of Cut 45° Bevel	1 1/4" / 31 mm	1 1/4" / 31 mm

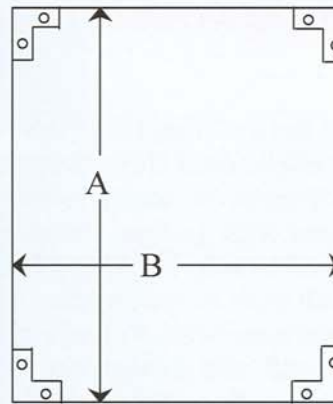
Dimensions

Contractor Duty Series
Type V

side view



footprint



Index	Dimensions
Contractor Duty Series	
A	34"
B	26"

Index #	A	B	C	D
Model#				
3512-01	24"	53"	37 1/4	12" Dia
3512-03	24"	53"	37 1/4	12" Dia

